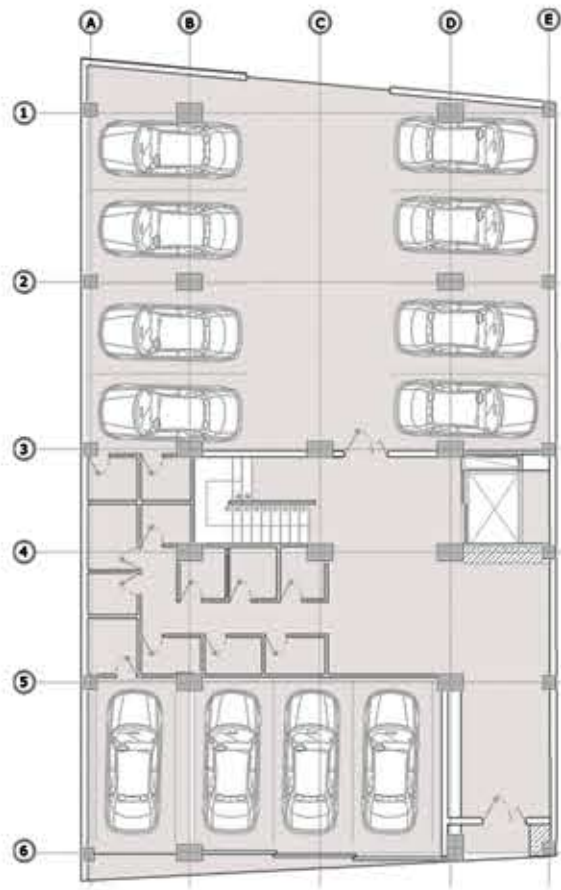
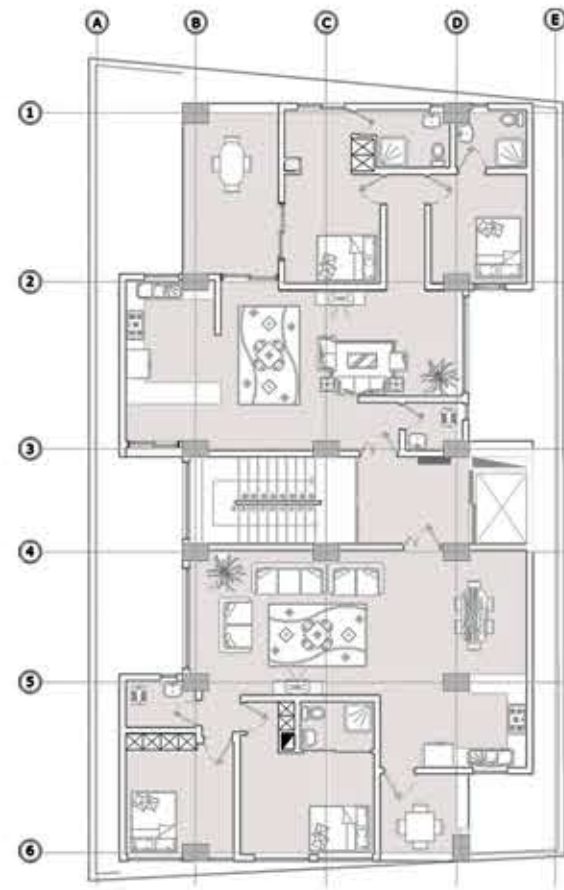


LARMA APARTMENT



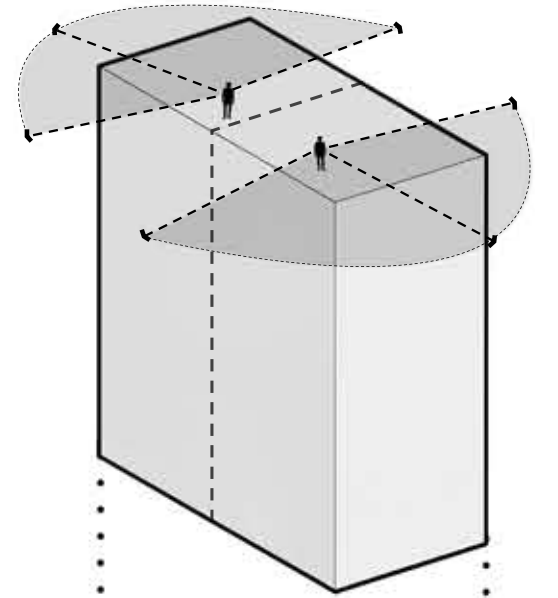
Parking Plan



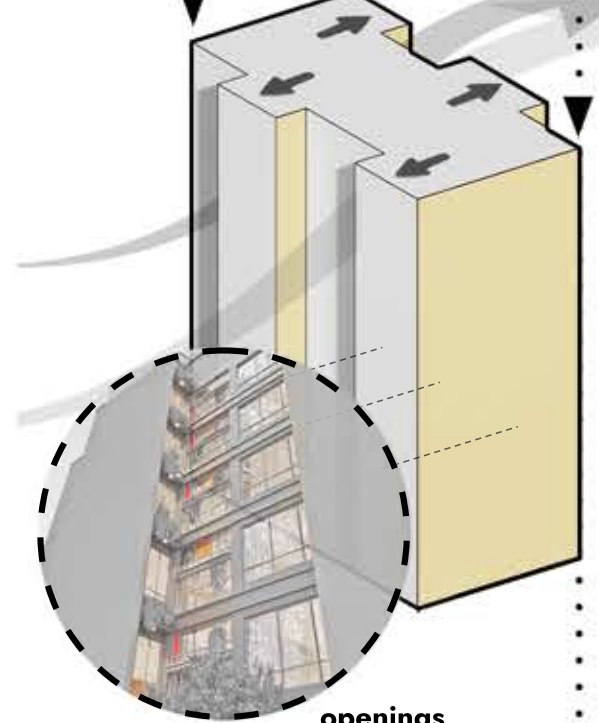
First Floor Plan



Roof Plan



view to the see and the forest

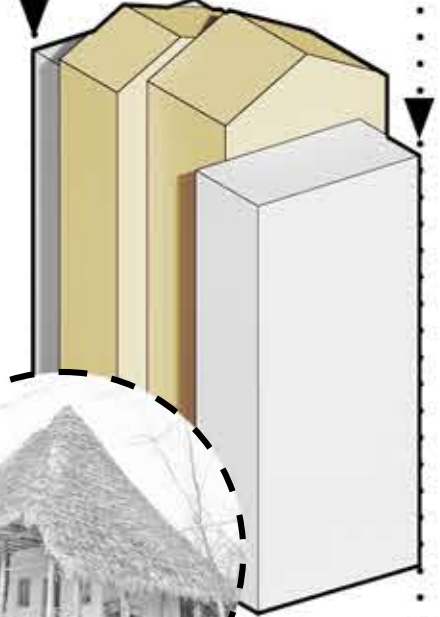


openings

In order to provide a suitable distance from the neighbors to create an opening, the volumes of the building were slid together to create both natural daylight and a favorable green space.

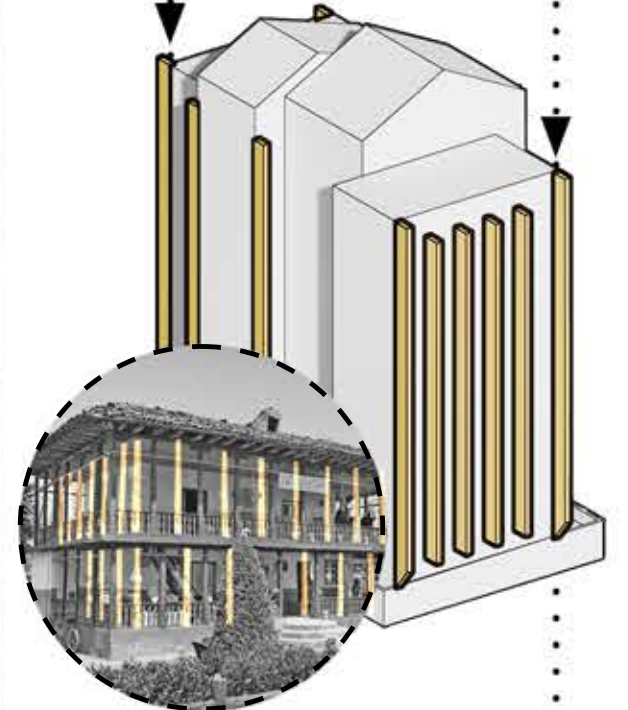
Natural ventilation

as native houses the length of the building is in the east-west direction so that all units benefit from the natural ventilation of the north and south winds.



native architecture

A part of the roof of the building is looking for a symbol of the north-sloping native



native architecture

vertical lines in facade separate terraces and is looking for a symbol of the native architecture

